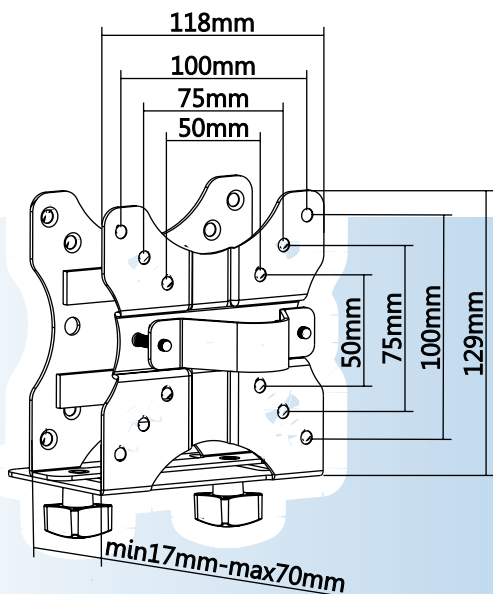


# MPM001 Mini PC



## SPECIFICATIONS

- VESA: 75x75 \_ 100x100
- Max Load Capacity: 5kg
- Clamp to pole
- Mounting Pads and Strap included
- For Intel NUC, Mac Mini, Small CPUs