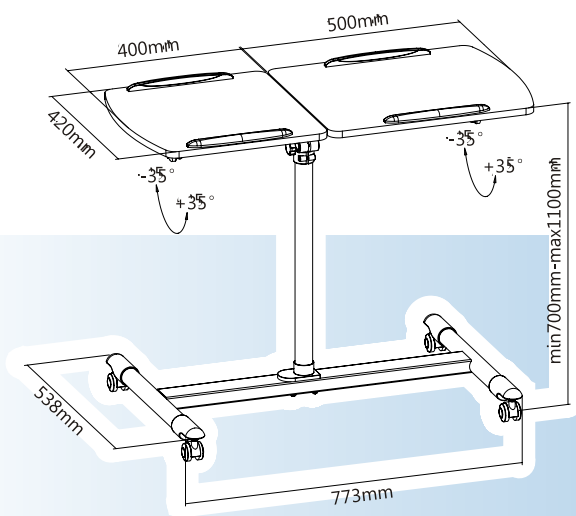
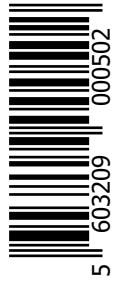


PT-5A



SPECIFICATIONS

- Adjustable height
- Adjustable tilt -35° +35°
- High-end caster wheels (2 lockable)
- Raised edges, stop device sliding
- Max Load Capacity: 10kg/22lbs