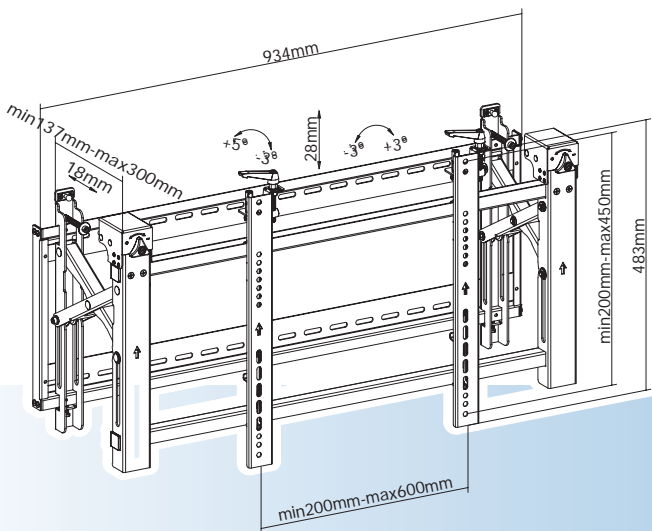
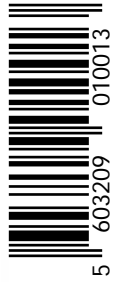


# VW1001

## 45-70"



## SPECIFICATIONS

- Fit for most 45-70" flat panel TVs
- Fit mounting patterns 700x438mm
- Max.VESA 600x400
- Mounting profile: 137-300mm
- Up/Down micro-adjustment 28mm
- In/Out micro-adjustment 18mm
- Tilting micro-adjustment -3 ~ +5
- Support weight 70kg/154lbs
- Pop-out distance 163mm